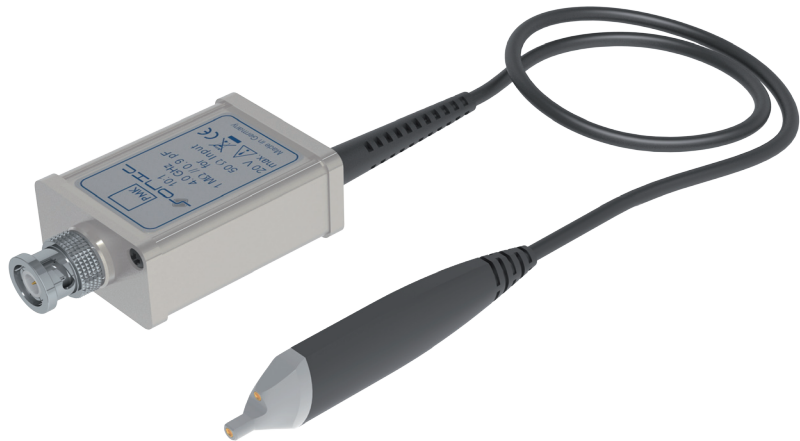


Features:

- 4 GHz Bandwidth
- Custom FET chip powered
- 0.6 pF Input Impedance
- Wide Dynamic Range
- Ultra Low Noise



The Sonic active probe is designed to cope with faster signals than most known probes on the market. As the bandwidth of many measuring systems rises from year to year PMK regards it necessary and is proud to introduce this custom FET chip powered active probe. In comparison to conventional active probes its minimal load of 0.6 pF is one of the advantages the Sonic active probe offers.

The Sonic active probe is system independent and useable with every 50 Ω measuring instrument. It requires a PMK Power Supply PS-02/-03 to function.

This datasheet supersedes all previously published material. Specifications that are not marked as guaranteed are published as general information to the user. The instrument should have warmed up for at least 20 minutes and the environmental conditions must not exceed the specified limits of the probe.

Note that specifications are subject to change without notice.

Electrical Specifications

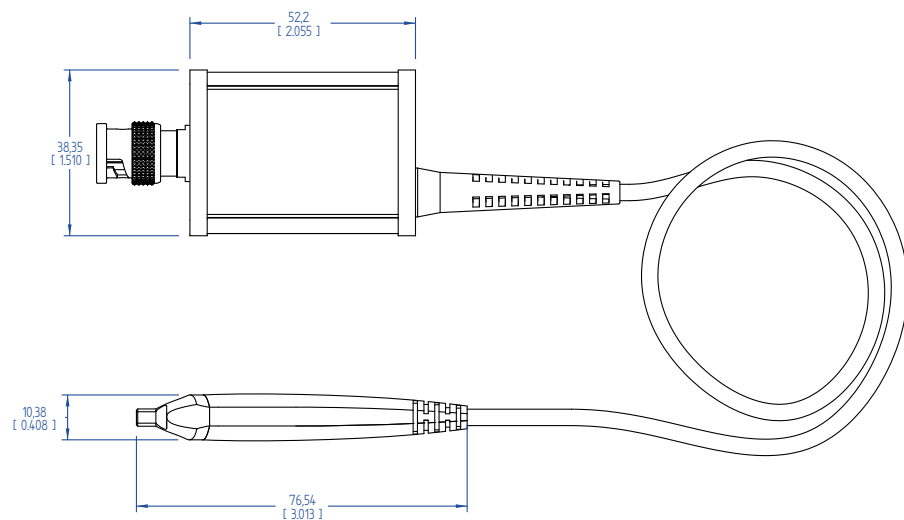
<i>Attenuation Ratio</i> ⁽¹⁾	10:1	± 2 % at DC
<i>Probe Bandwidth</i>	4.0 GHz	(-3 dB)
<i>Input Dynamic Range</i>	± 8 V	
<i>Maximum Rated Input Voltage</i>	20 V	

Electrical Characteristics

<i>Input Resistance (system)</i>	1 MΩ
<i>Input Capacitance (system)</i>	0.6 pF
<i>Input Coupling of the Measuring Instrument</i>	50 Ω

Mechanical Characteristics

Weight (probe only)	107 g
Cable Length	1.3 m
Probe Input Sockets	0.64 mm square / 0.8 mm round
Output Connectors	BNC (SMA available on request)

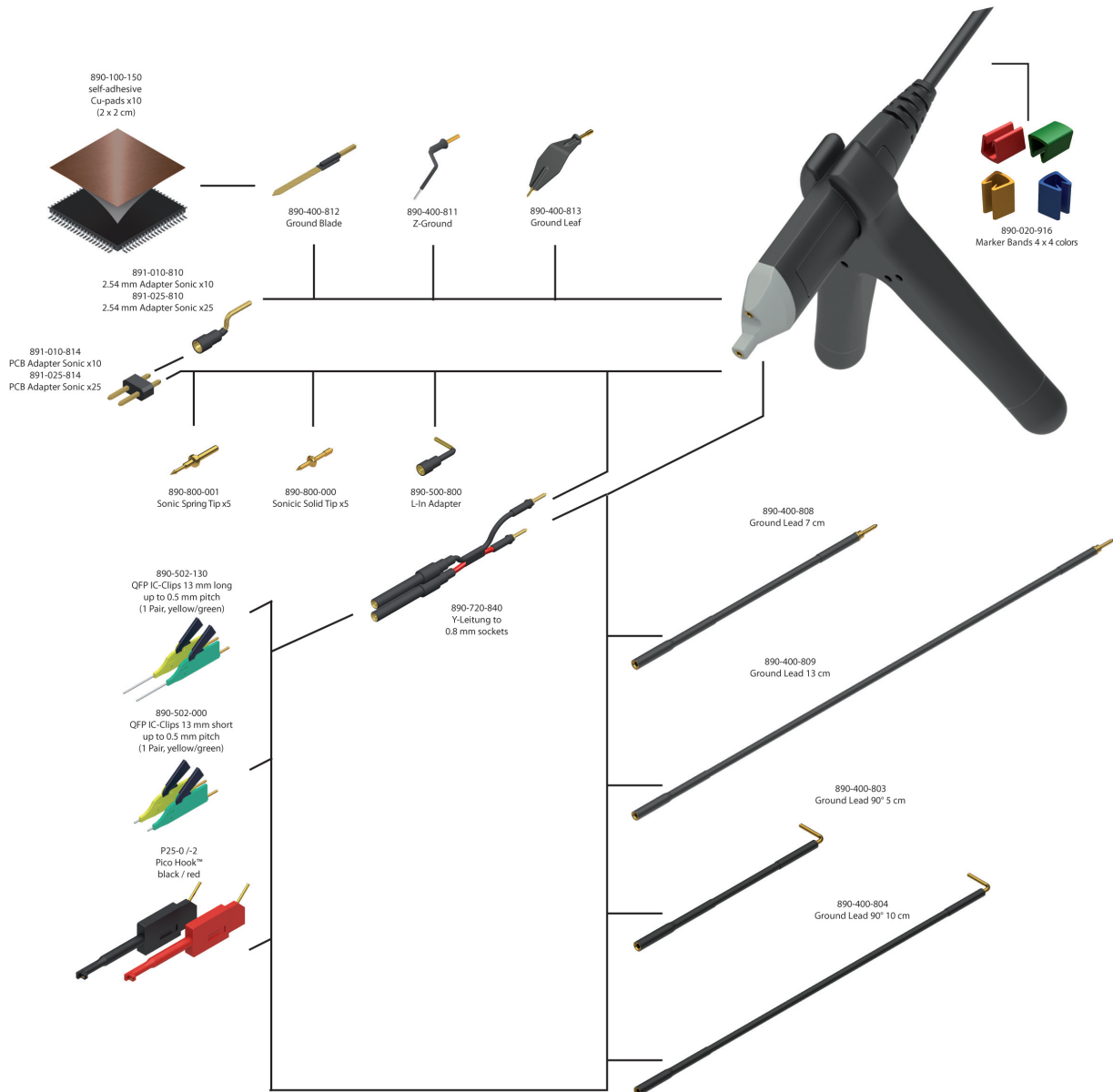


*) Units in millimeters [inch].

Sonic

Datasheet

Accessories Sonic



Manufacturer

PMK Mess- und Kommunikationstechnik GmbH
 Königsteiner Str. 98
 65812 Bad Soden, Germany

Internet: www.pmk.de

Tel: +49 (0) 6196 5927 - 930

E-Mail: sales@pmk.de

Fax: +49 (0) 6196 5927 - 939