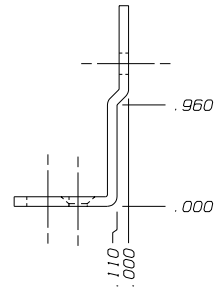
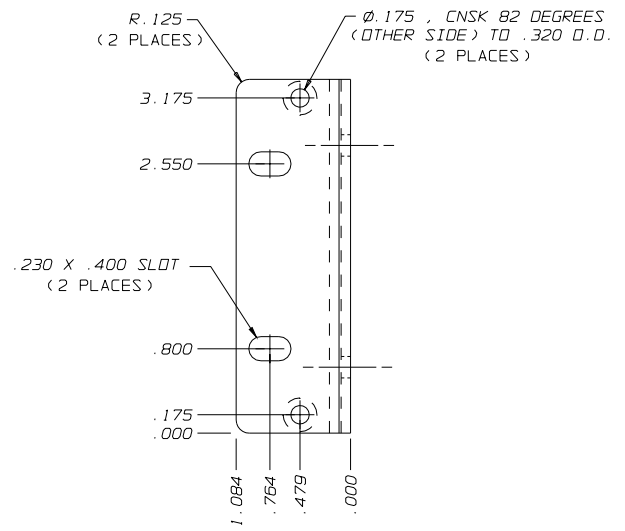


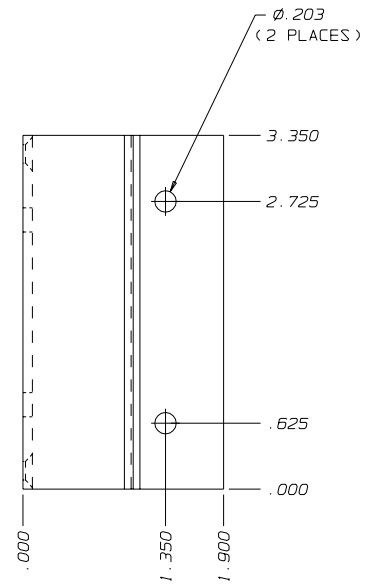
REVISIONS			
REV	DESCRIPTION	DATE	APPROVED
B	CHANGED TWO CNSK HOLES TO .230 DIA	08/01/88	AWR



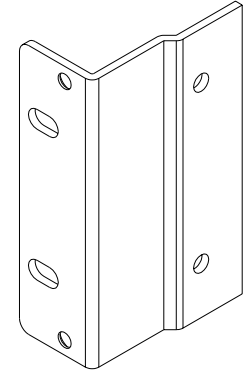
TOP VIEW



FRONT VIEW



RIGHT SIDE VIEW



- NOTES: 1) ALL DIMENSIONS ARE IN INCHES
 2) TOL +/- .010
 3) USE MINIMUM RADII ON ALL BENDS
 4) MATERIAL: .090 ALUMINUM
 5) FINISH: BLACK ANODIZE
 DO NOT GRAIN, TUMBLE O.K.

<i>STANFORD RESEARCH SYSTEMS, Inc.</i>				
1290-D REAMWOOD AVENUE SUNNYVALE, CA 94089 PHONE: (408) 744-9040 FAX: 4087449049 TELEX: 706891 SRS UD		ASSEMBLY: SR510/PS300 SCIENTIFIC INSTRUMENTS		
		TITLE: RACK MOUNT (TWO PER ASSEMBLY)		
SIZE C	SRS REF# SR510-26	SRS PART# 7-00205-720	REV B	
DRAWN BY: AWR	SCALE: 1:1	DATE: 03/11/88	SHEET 1 OF 1	