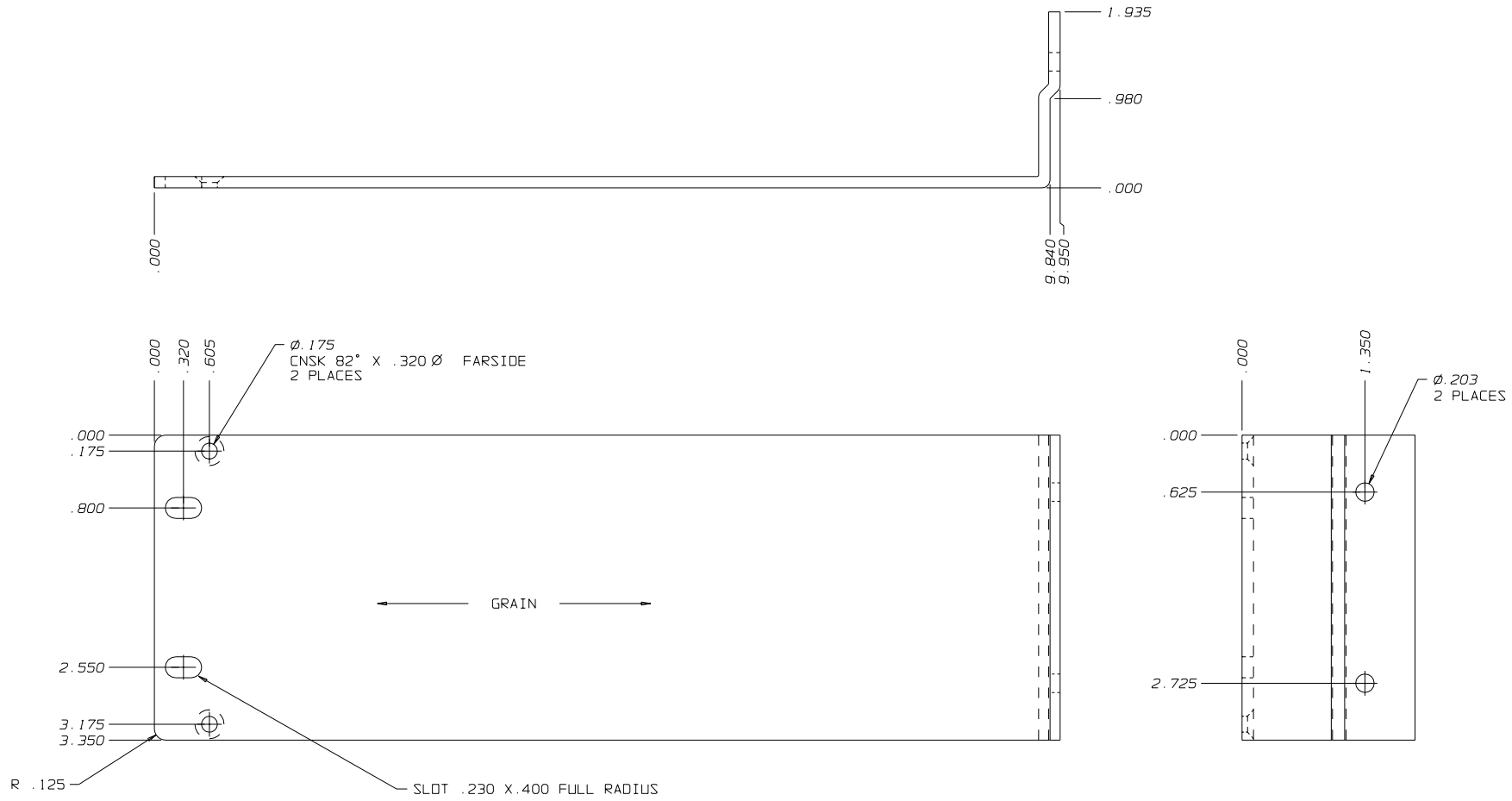


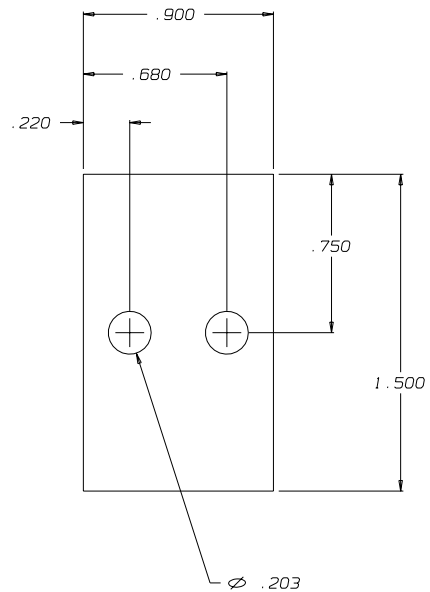
REVISIONS			
REV	DESCRIPTION	DATE	APPROVED
A1	ADDED MISSING DIMENSION	01/09/02	GAW



- NOTES:
- 1) ALL DIMENSIONS ARE IN INCHES
 - 2) TOL +/- .010
 - 3) USE MINIMUM RADII ON ALL BENDS
 - 4) MATERIAL: .125 ALUMINUM
 - 5) FINISH: ANODIZE, BLACK

<i>STANFORD RESEARCH SYSTEMS, Inc.</i>			
1290-D REAMWOOD AVENUE SUNNYVALE, CA 94089		ASSEMBLY: HIGH VOLTAGE POWER SUPPLY	
PHONE: (408) 744-9040 FAX: 4087449049 TELEX: 706891 SRS UD		TITLE: RACKMOUNT, SINGLE	
SIZE C	SRS REF# PS300-49	SRS PART# 7-00229-715	REV A1
DRAWN BY: L D		SCALE: 1 : 1	DATE: 8-2-88
		SHEET 1 OF 1	

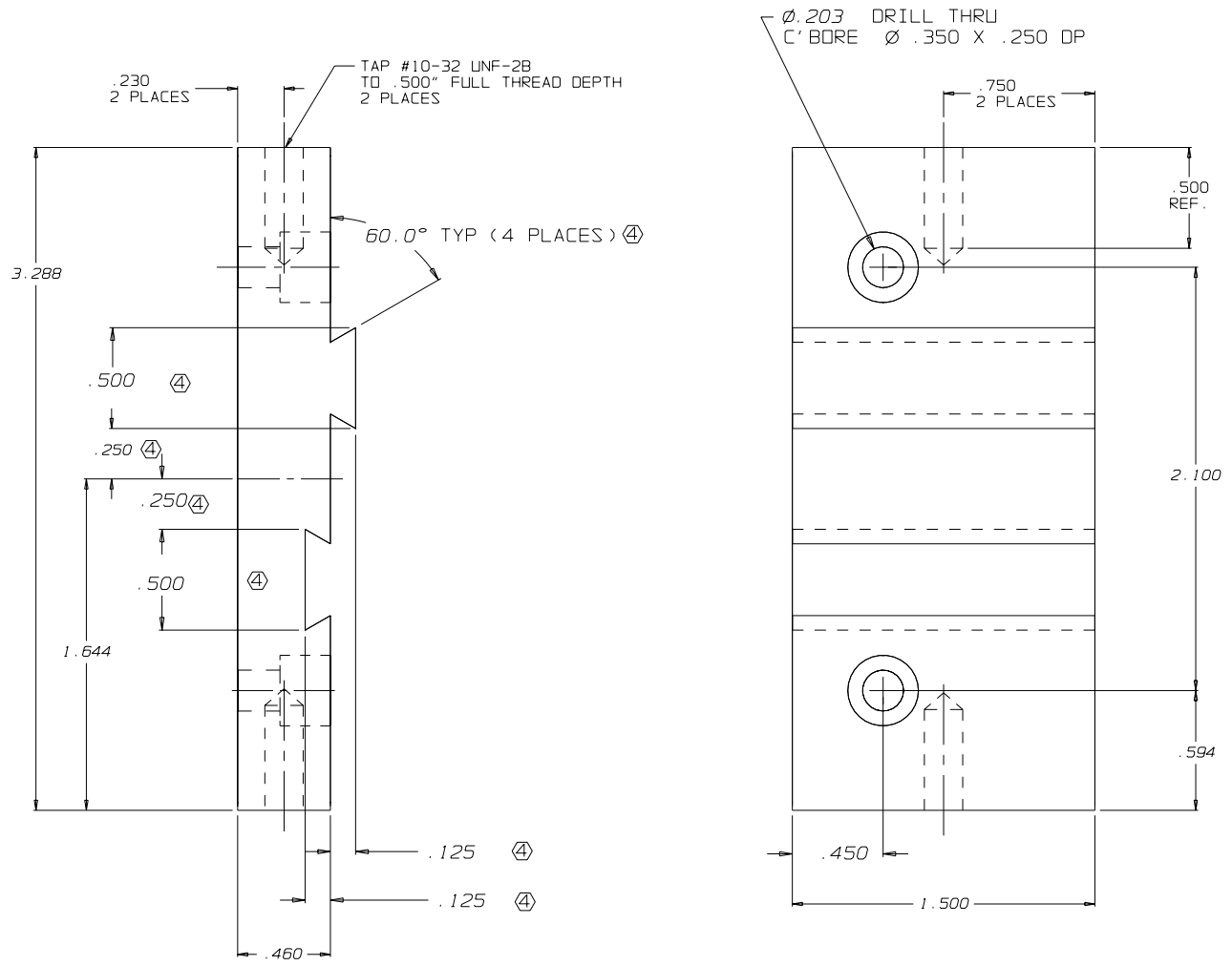
REVISIONS			
REV	DESCRIPTION	DATE	APPROVED



- NOTES:
- 1) ALL DIMENSIONS ARE IN INCHES
 - 2) TOL +/- .010
 - 3) REMOVE ALL SHARP EDGES AND BURRS (GRAINING D.K.)
 - 4) MATERIAL: .125" THICK (8 ga.) ALUMINUM STRIP
 - 5) FINISH: BLACK ANODIZE
 - 6) RUBBER OR METAL STAMP ON THIS PART (LOCATION OPTIONAL) IN .06 - .12 HIGH CHARACTERS: 7-00676-720.REVO

<i>STANFORD RESEARCH SYSTEMS, Inc.</i>			
1290-D REAMWOOD AVENUE SUNNYVALE, CA 94089		ASSEMBLY: DOUBLE RACK MOUNT - PS, DS34X, SR560/70, SR630	
PHONE: (408) 744-9040 FAX: 4087449049 TELEX: 706891 SRS UD		TITLE: SAFETY LOCKING PLATE	
SIZE C	SRS REF# PS300-52	SRS PART# 7-00680-720	REV 0
DRAWN BY: JG		SCALE: 2:1	DATE: 12/19/94 SHEET 1 OF 1

REVISIONS			
REV	DESCRIPTION	DATE	APPROVED
C	ADDED TWO (2) #10-32 TAPPED HOLES	12/19/94	JG



NOTES: UNLESS OTHERWISE SPECIFIED
 1) ALL DIMENSIONS ARE IN INCHES AND APPLY AFTER PLATING
 2) TOLERANCE: +/- .005 UNLESS OTHERWISE NOTED
 3) MATERIAL: 6061 ALUMINUM
 4) DOVETAILS TO BE MACHINED FOR SMOOTH, SLIDING FIT OF TWO (2) MATING PARTS
 5) FINISH: ANODIZE, BLACK

STANFORD RESEARCH SYSTEMS, Inc.

1290-D REAMWOOD AVENUE
 SUNNYVALE, CA 94089
 PHONE: (408) 744-9040
 FAX: 4087449049
 TELEX: 706891 SRS LD

ASSEMBLY:
 HIGH VOLTAGE POWER SUPPLY
 TITLE:
 RACKMOUNT, DOUBLE

SIZE C	SRS REF# SR300-38	SRS PART# 7-00194-720	REV C
-----------	----------------------	--------------------------	----------

DRAWN BY: LD SCALE: 2:1 DATE: 7-29-88 SHEET 1 OF 1